

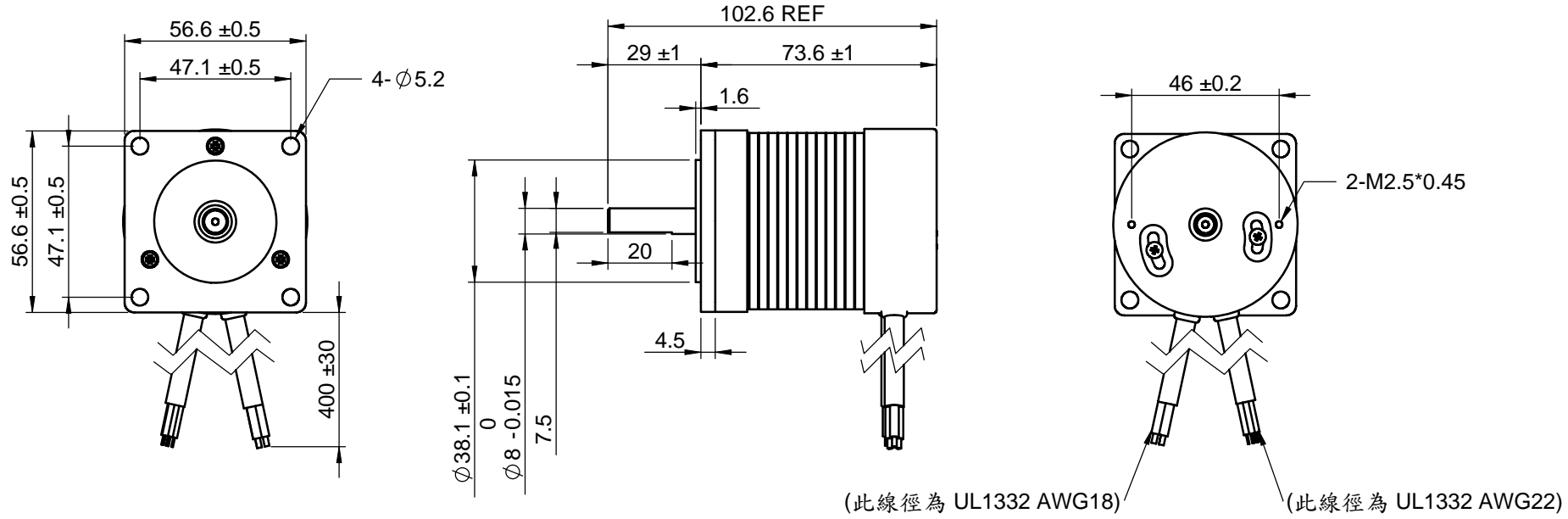
1 2 3 4 5 6

A

A

B

B

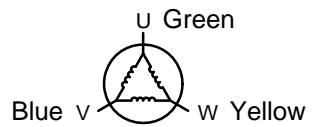
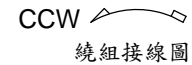


(此線徑為 UL1332 AWG18)

(此線徑為 UL1332 AWG22)

Hall 接線表		
Pin	Color	功能(說明)
1	Yellow	Hall U
2	Black	GND
3	Green	Hall V
4	Red	+5V
5	Blue	Hall W

Motor 接線表		
Pin	Color	功能(說明)
1	Green	Motor U
2	Blue	Motor V
3	Yellow	Motor W



C

C

D

D

MODEL		NO LOAD		AT MAXIMUM EFFICIENCY					THIRD ANGLE PROJECTION ALL DIMENSION ARE IN MM (UNLESS OTHERWISE SPECIFIED)	製圖 設計 審核 材料 完成時間	JOANNE	Cheshire Electric Company, LLC		
NOMINAL	50V DC	SPEED RPM	CURRENT A	SPEED RPM	CURRENT A	TORQUE Kg-cm	OUTPUT W	EFF %				Part No JB57-H0N1A879	Name DC Brushless motor	REV. NO.
		2100	0.12	1858	0.92	2.04	39.86	86.95	繪製比例: 1:2	2012/1/4				

1 2 3 4 5 6